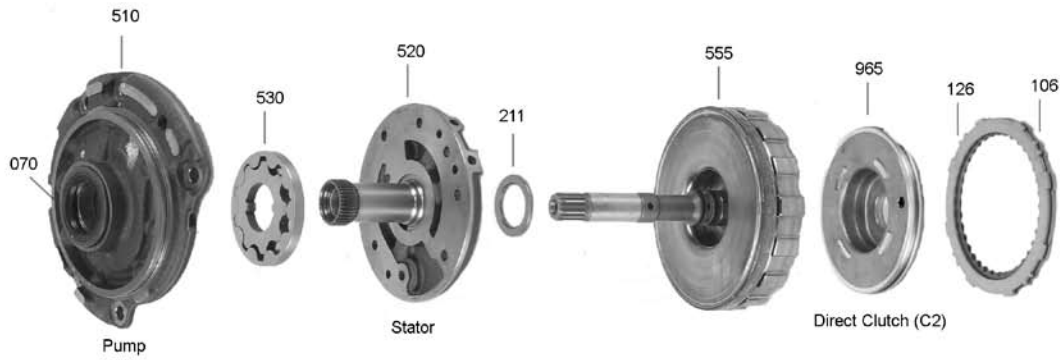
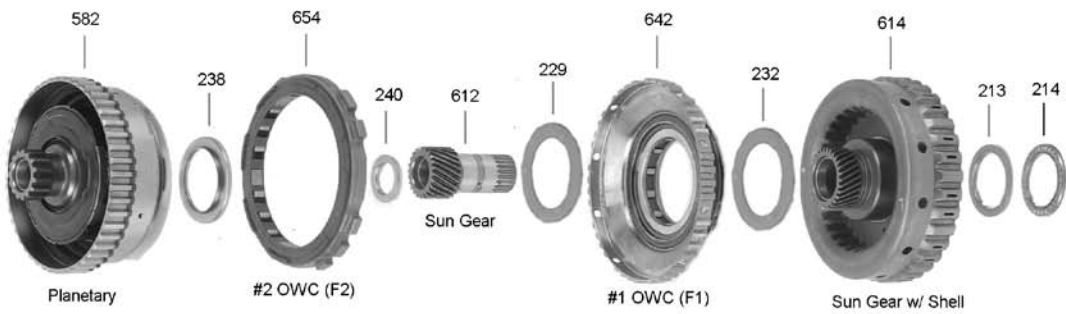


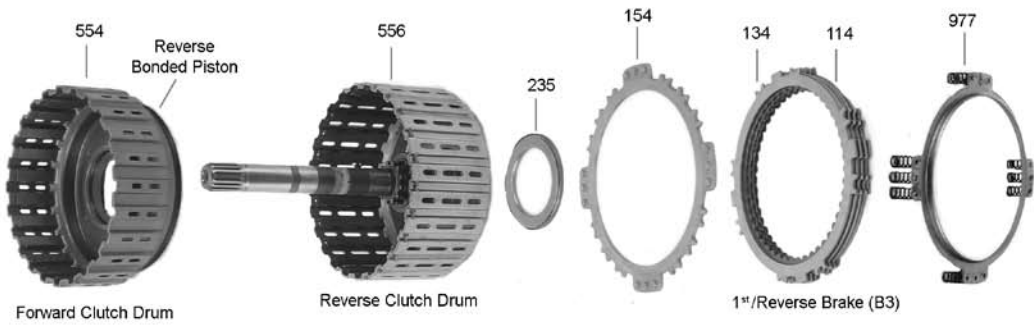
A



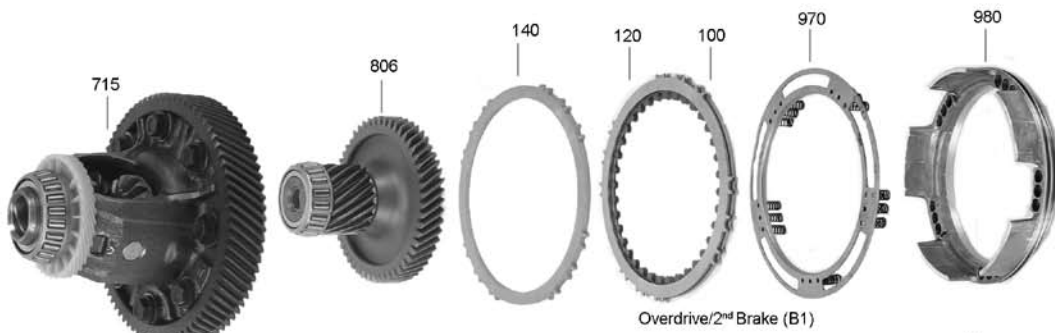
B



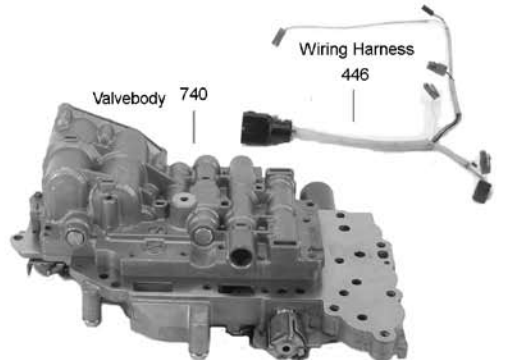
C



D

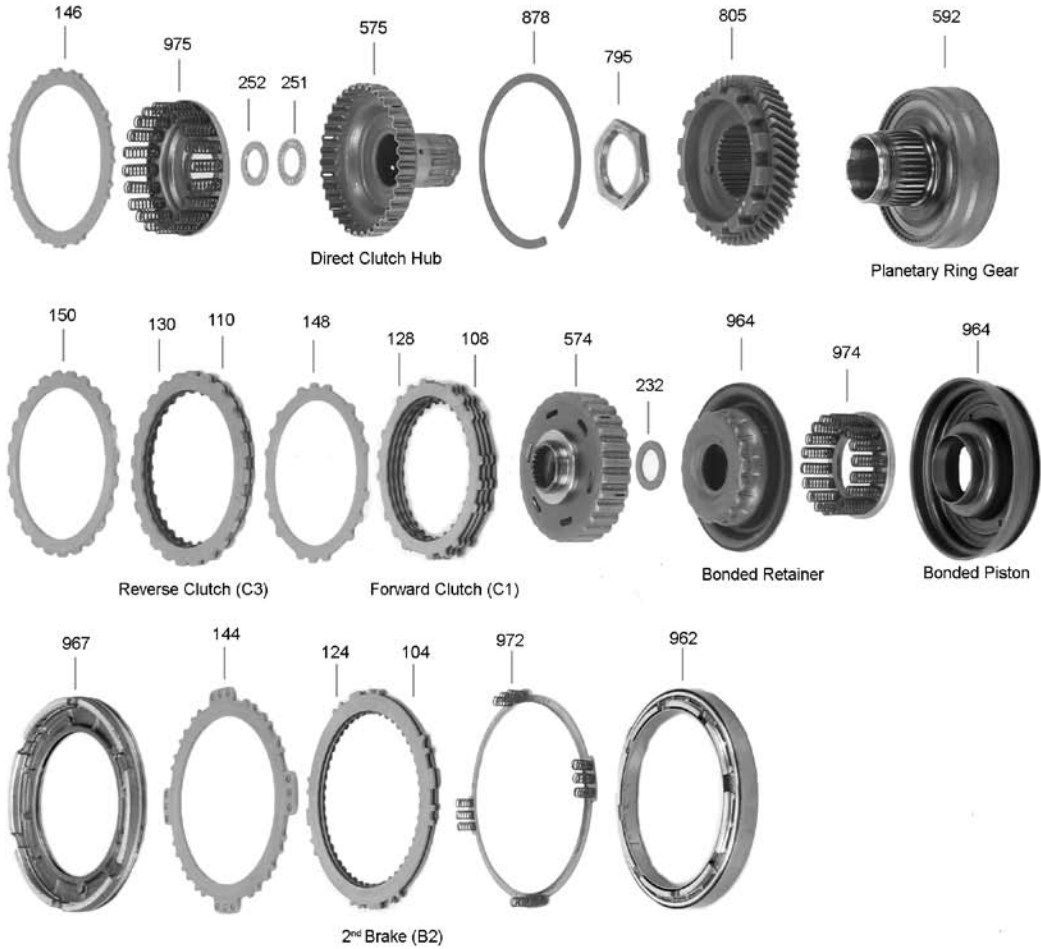


E



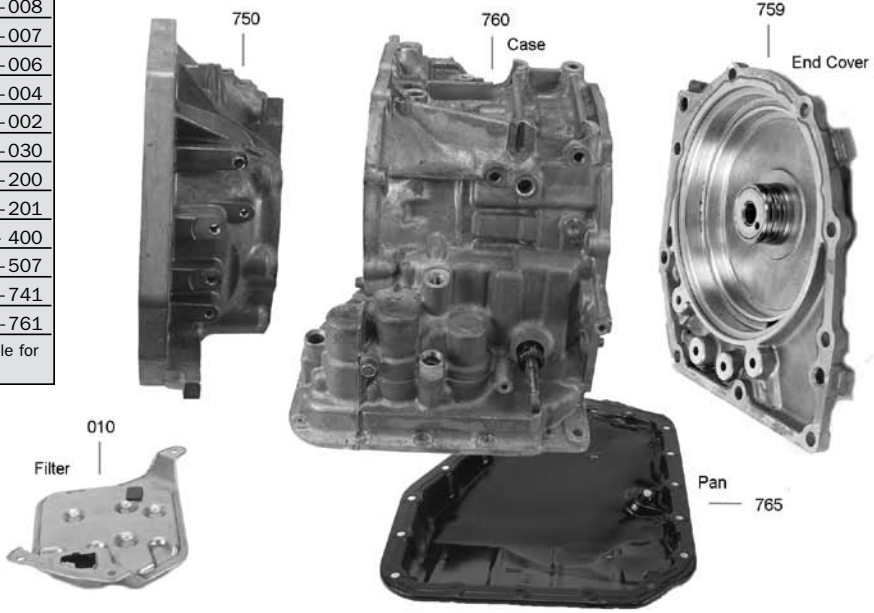
4 SPEED

AW80/81-40LE



| | |
|------------------|-----|
| Deluxe Kit | 008 |
| Compliance Kit | 007 |
| Master Kit | 006 |
| Less Steel Kit | 004 |
| Overhaul Kit | 002 |
| Bushing Kit | 030 |
| Washer Kit | 200 |
| Bearing Kit | 201 |
| Technical Manual | 400 |
| Pump Part | 507 |
| Valve Body Parts | 741 |
| Case Parts | 761 |

Note: Not all items are available for all transmissions



| ILL. | DESCRIPTION | QTY. | YEAR | PART NO. | REFERENCE NO. |
|---|--------------------------|------|-------|----------|---------------|
| MASTER OVERHAUL KITS (WITH STEELS) | | | | | |
| 006I | AW80/81-40LE, U440E..... | 1 | 04-Up | 199006 | N/A |
| LESS STEEL KITS | | | | | |
| 004I | AW80/81-40LE, U440E..... | 1 | 04-Up | 199004 | N/A |
| OVERHAUL KITS (W/ RINGS & SEALS) | | | | | |
| 002I | AW80/81-40LE, U440E..... | 1 | 04-Up | 199002 | N/A |
| FILTERS | | | | | |
| 010I | AW80/81-40LE, U440E..... | 1 | 04-Up | 199010 | N/A |
| BUSHINGS | | | | | |
| 030I | Bushing Kit | 1 | 04-Up | 199030 | N/A |
| METAL CLAD SEALS | | | | | |
| 070 | Front Pump | 1 | 04-Up | 57070A | N/A |
| 076 | Axle, Bell Housing | 1 | 04-Up | 199076 | N/A |
| 077 | Axle, Case..... | 1 | 04-Up | 199074 | N/A |
| FRICTION PLATES | | | | | |
| 100D | Overdrive (B1)..... | 5-6 | 04-Up | 199100 | N/A |
| 104H | Intermediate (B2) | 4-5 | 04-Up | 199104 | N/A |
| 106A | Direct (C2) | 3-4 | 04-Up | 199106 | N/A |
| 108G | Forward (C1) | 4-5 | 04-Up | 199108 | N/A |
| 110G | Reverse (C3)..... | 4-5 | 04-Up | 199110 | N/A |
| 114C | Low/ Reverse (B3) | 4-5 | 04-Up | 199114 | N/A |
| STEEL PLATES | | | | | |
| 120D | Overdrive (B1)..... | 5-6 | 04-Up | 199120 | N/A |
| 124H | Intermediate (B2) | 4-7 | 04-Up | 199124 | N/A |
| 126A | Direct (C2) | 3-4 | 04-Up | 199126 | N/A |
| 128G | Forward (C1) | 4-5 | 04-Up | 199128 | N/A |
| 130G | Reverse (C3)..... | 4-5 | 04-Up | 199130 | N/A |
| 134C | Low/ Reverse (B3) | 4-5 | 04-Up | 199134 | N/A |
| PRESSURE PLATES | | | | | |
| Prefix Key: D = OEM, A = Aftermarket New, R = Remanufactured | | | | | |
| 140D | Overdrive (B1)..... | 1 | 04-Up | 199140 | N/A |
| 144H | Intermediate (B2) | 1 | 04-Up | 199144 | N/A |
| 146F | Direct (C2) | 1 | 04-Up | 199146 | N/A |
| 148G | Forward (C1) | 1 | 04-Up | 199148 | N/A |
| 150G | Reverse (C3)..... | 1 | 04-Up | 199150 | N/A |
| 154C | Low/ Reverse (B3) | 1 | 04-Up | 199154 | N/A |
| SEALING RING KITS | | | | | |
| 175I | Sealing Ring Kit..... | 1 | 04-Up | 199175 | N/A |
| THRUST WASHER KITS | | | | | |
| 200I | Thrust Washer Kit | 1 | 04-Up | 199200 | N/A |
| BEARING KITS | | | | | |
| 201I | Bearing Kit | 1 | 04-Up | 199201 | N/A |
| GASKETS & O-RINGS | | | | | |
| 300I | Pan Gasket..... | 1 | 04-Up | 199300 | N/A |

4 SPEED

AW80/81-40LE

| ILL. | DESCRIPTION | QTY. | YEAR | PART NO. | REFERENCE NO. |
|--|--|------|-------|----------|---------------|
| TECHNICAL MANUALS | | | | | |
| 400I | AW80/81-40LE (Aveo)..... | 1 | 04-Up | 199400 | N/A |
| 400I | U440E, U441E (Yaris, Echo) (OE Manual)..... | 1 | 04-Up | 199400A | N/A |
| ELECTRICAL COMPONENTS | | | | | |
| 421 | Shift # 1 & Shift # 2..... | 2 | 04-Up | 199421 | N/A |
| 425 | Lock-up (TCC)..... | 1 | 04-Up | 199425 | N/A |
| 425 | Lock-up Control..... | 1 | 04-Up | 199425A | N/A |
| 431 | EPC..... | 1 | 04-Up | 199431 | N/A |
| HARD PARTS | | | | | |
| Prefix Key: D = OEM, A = Aftermarket New, R = Remanufactured | | | | | |
| PUMPS | | | | | |
| 510A | Pump Body..... | 1 | 04-Up | 199510 | N/A |
| 520A | Pump Cover (Stator)..... | 1 | 04-Up | 199520 | N/A |
| 530A | Pump Gears..... | 1 | 06-Up | 199530 | N/A |
| DRUMS & CLUTCH HUBS | | | | | |
| 554A | Forward (C1)..... | 1 | 04-Up | 199554 | N/A |
| 555A | Direct (C2)..... | 1 | 04-Up | 199555 | N/A |
| 556C | Reverse (C3)..... | 1 | 04-Up | 199556 | N/A |
| 574G | Hub, Forward..... | 1 | 04-Up | 199574 | N/A |
| 575F | Hub, Direct..... | 1 | 04-Up | 199575 | N/A |
| 578B | Hub, Reverse..... | 1 | 04-Up | 199578 | N/A |
| PLANETS | | | | | |
| 582B | Planet..... | 1 | 04-Up | 199582 | N/A |
| 592F | Ring Gear..... | 1 | 04-Up | 199592 | N/A |
| SUN GEARS | | | | | |
| 612B | Sun Gear, Forward..... | 1 | 04-Up | 199612 | N/A |
| 612B | Sun Gear, Reaction w/ Shell..... | 1 | 04-Up | 199614 | N/A |
| SPRAGS | | | | | |
| 642B | One Way Clutch Hub & Sprag (F1)..... | 1 | 04-Up | 199642 | N/A |
| 654B | One Way Clutch, Low (F2)..... | 1 | 04-Up | 199654 | N/A |
| DIFFERENTIALS | | | | | |
| 715D | Assembly (75 T Ring, 20 T Small Idler, 45 T Large Idler) (Aveo)..... | 1 | 04-Up | 199715K | N/A |
| 715D | Assembly (77 T Ring, 19 T Small Idler, 52 T Large Idler) (Daewoo)..... | 1 | 04-Up | 199715AK | N/A |
| VALVE BODIES | | | | | |
| 740E | Valve Body..... | 1 | 04-Up | 199740 | N/A |
| CASES & HOUSINGS | | | | | |
| 760I | Case..... | 1 | 04-Up | 199760 | N/A |
| 759I | End Cover..... | 1 | 04-Up | 199759 | N/A |
| 765I | Pan..... | 1 | 04-Up | 199765 | N/A |
| MISCELLANEOUS COMPONENTS | | | | | |
| 962H | Piston, Intermediate..... | 1 | 04-Up | 199962 | N/A |
| 964G | Piston, Forward..... | 1 | 04-Up | 199964 | N/A |
| 964G | Piston Retainer, Forward..... | 1 | 04-Up | 199964A | N/A |
| 967H | Piston, Low/ Reverse..... | 1 | 04-Up | 199967 | N/A |